



Design File

Trilennium™
3020 Series
French Mortise
Lock System

Trilennium™ French Mortise Lock Features

User Friendly

- Intuitive North American Function.
- Full 1" Throw Top & Bottom.
- 90° Thumbturn Rotation Provides Visual Locked/Unlocked Indication.
- Large Fabrication & Installation Tolerances.

System Construction

- I-Beam System Carrier Strengthens Door.
- Strike Plates Available in 11 Finishes.
- Powder Painted Metal Lock Housings.
- Roller Components for Longer Life & Reduced Operating Forces.

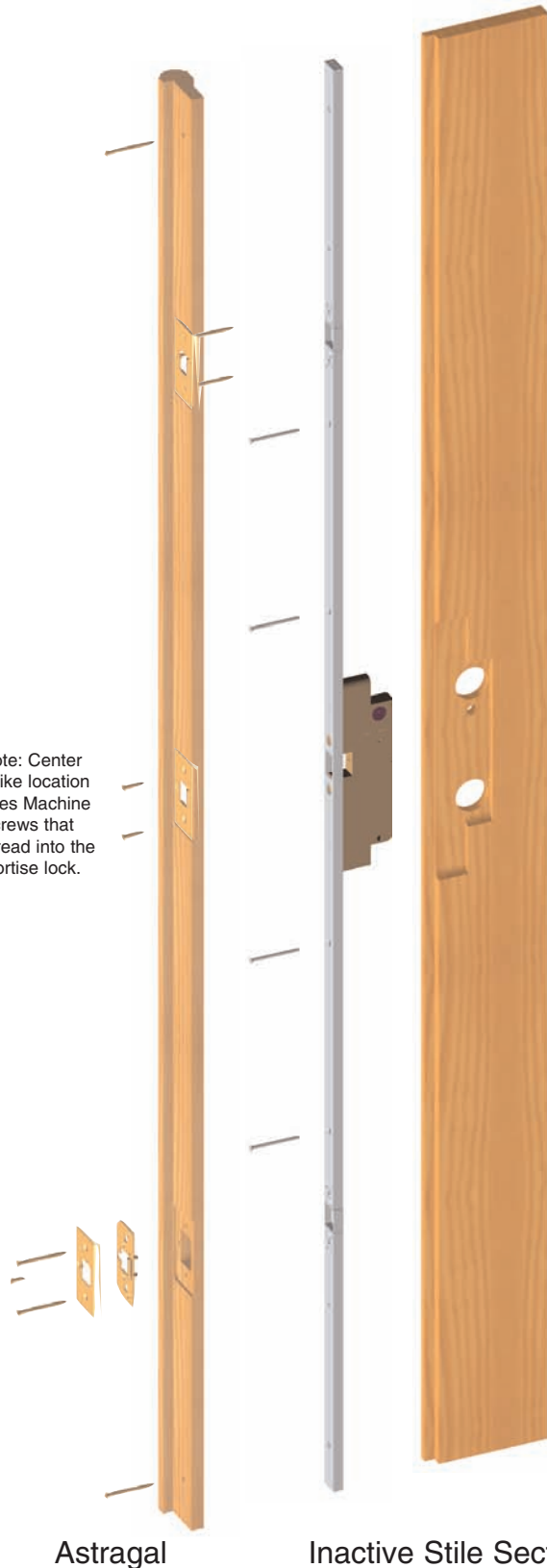
Fabrication

- Standard Crossbores.
- Simple Router Fabrication or
- Automatic Equipment Fabrication.

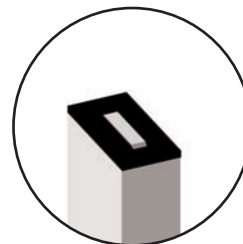
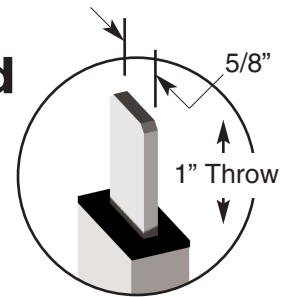
Application

- 1 Piece Lock Module with Mounting Screws.
- 74" through 132" Heights Available.
- Non-Handed Lock Mechanism and Trim.
- 1 3/4" or 2 1/4" Stile Thickness Standard, others Available.

Note: Center strike location uses Machine Screws that thread into the mortise lock.



Locked



Unlocked

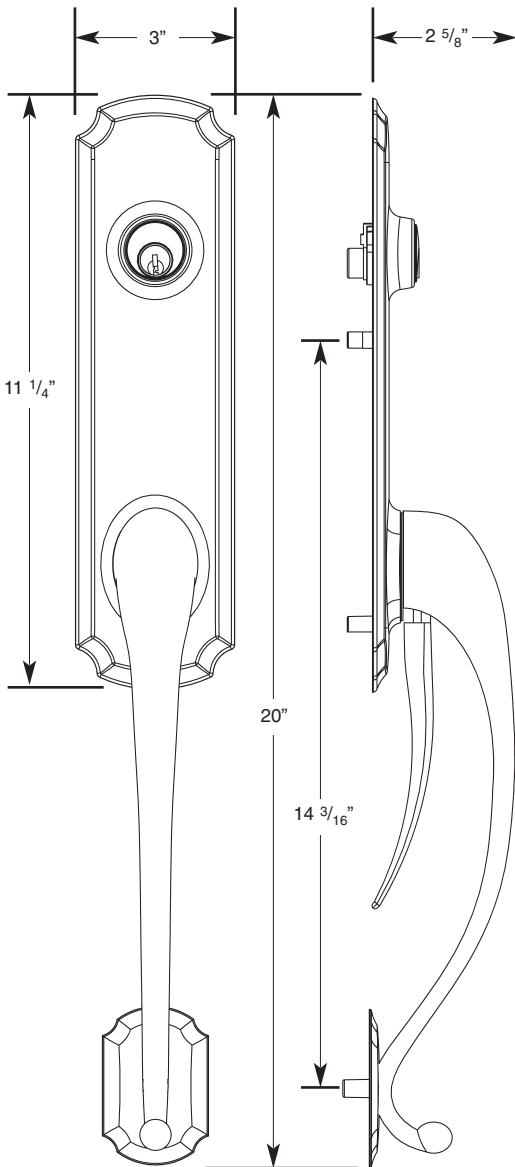
TEMPLATE SYSTEMS FOR ROUTER FABRICATION



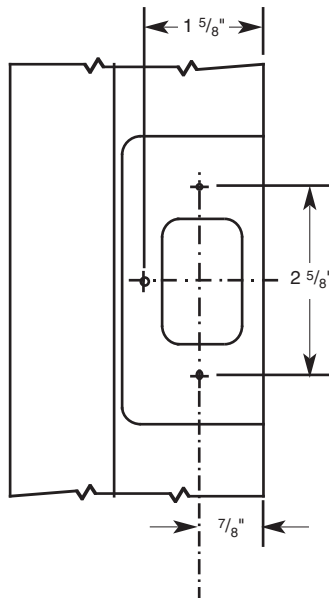
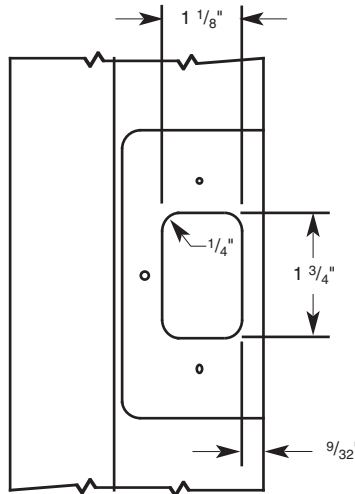
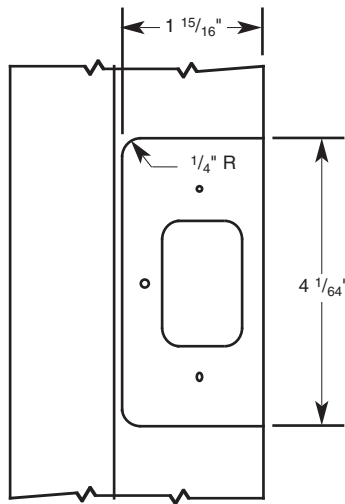
Ask for W & F's complete tooling solutions for easy stile and jamb fabrication.

Eclipse Entrance Grip

1500-125-XXXX



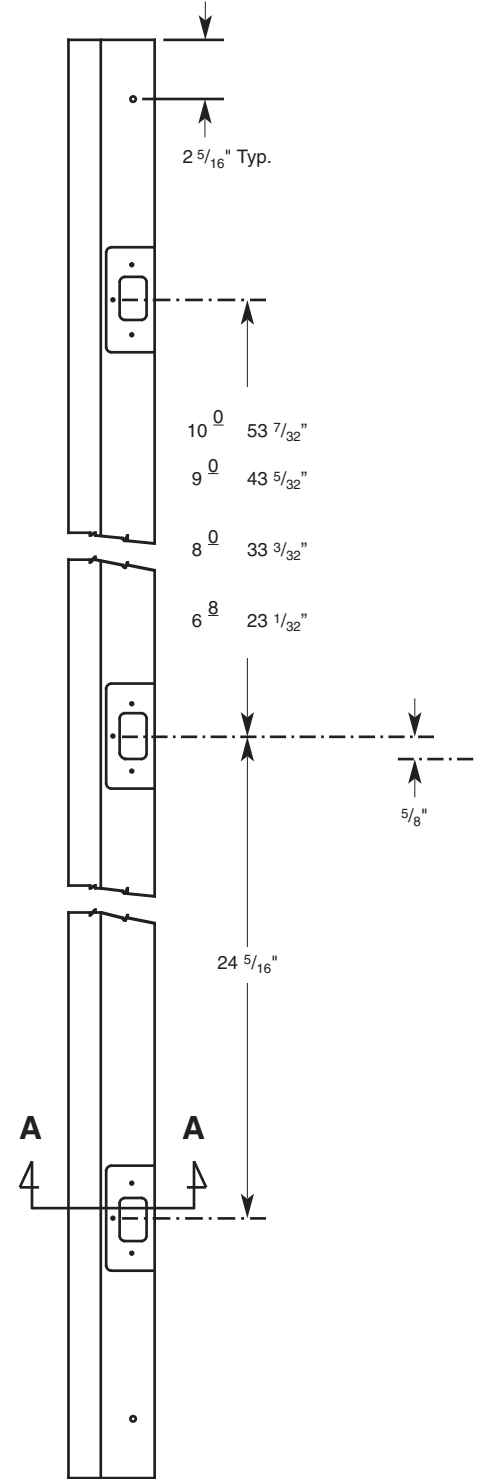
ASTRAGAL DETAILS



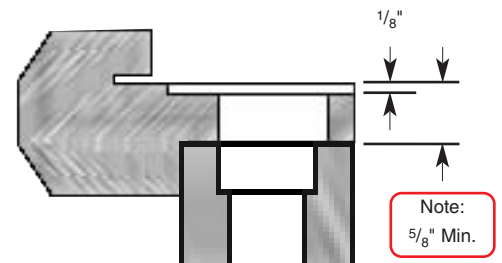
Note: C/L of strike mounting screws to match C/L of Lock.

All dimensions shown are for a 1 3/4" door. Shift accordingly for 2 1/4" or other door thickness.

ASTRAGAL FABRICATION

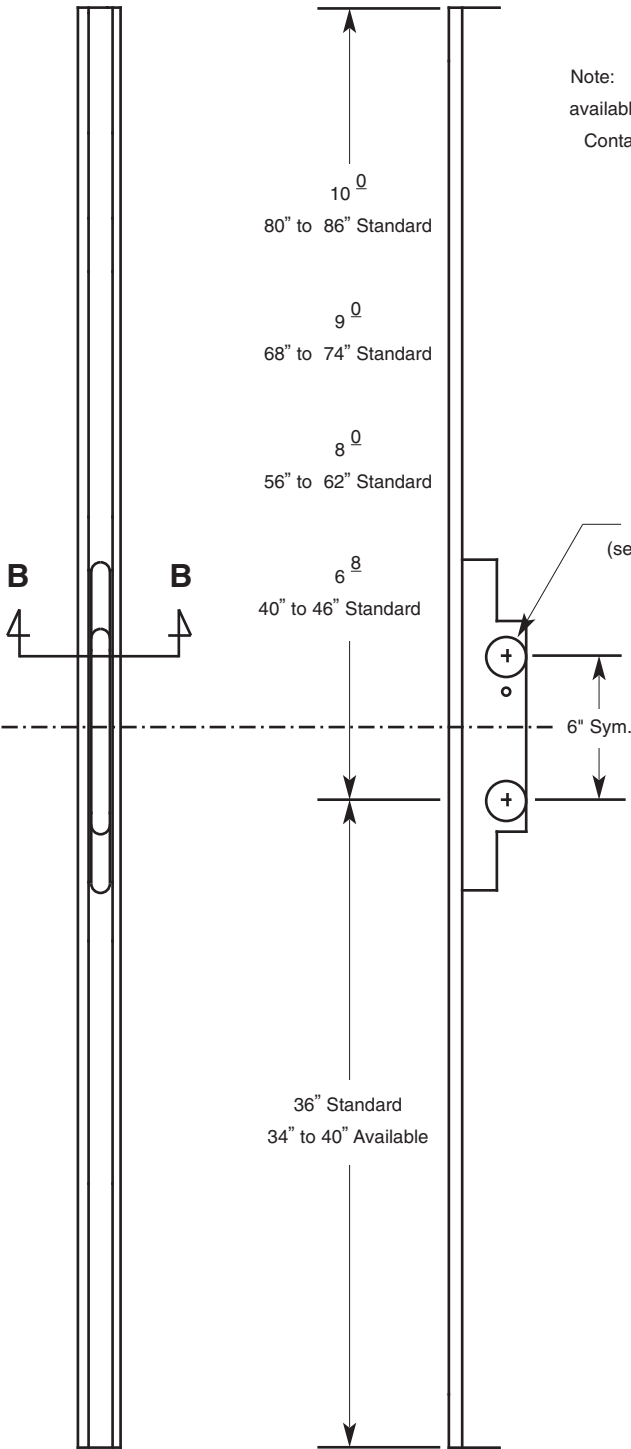


VIEW A-A
NOT TO SCALE



Note:
5/8" Min.

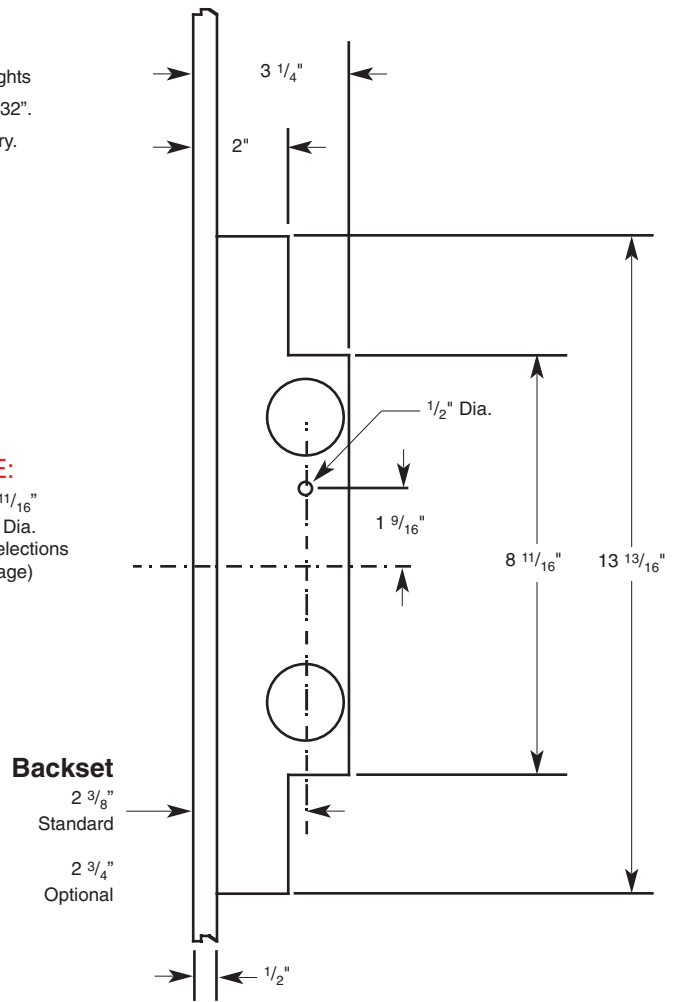
STILE FABRICATION



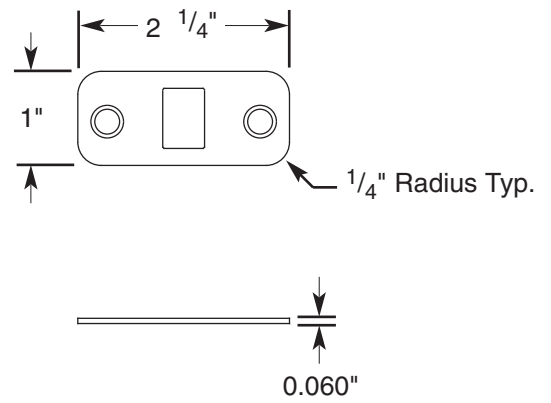
Note: Special heights available through 132". Contact the factory.

NOTE:
 2 1/8" or 1 11/16"
 Crossbore Dia.
 (see Handle selections on back page)

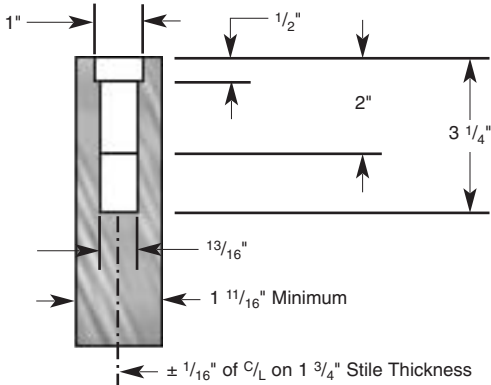
MORTISE POCKET DETAIL



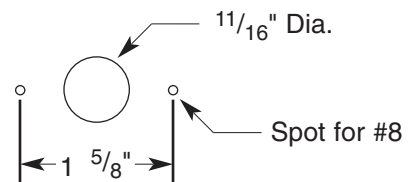
HEAD & SILL KEEPER



VIEW B-B NOT TO SCALE



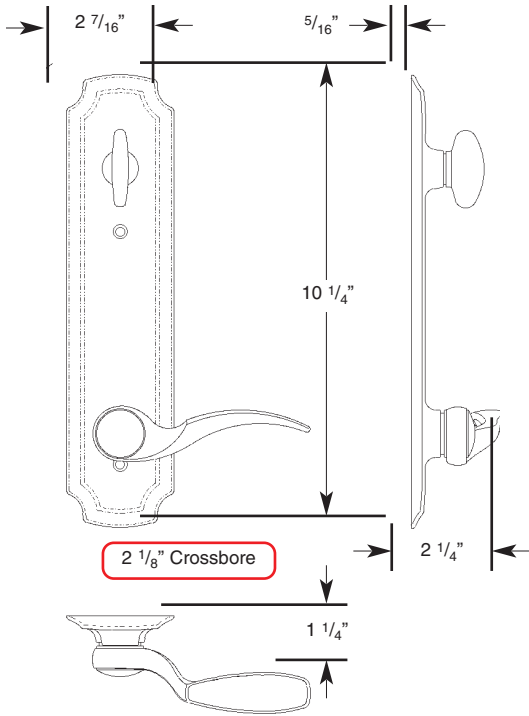
TYPICAL KEEPER FABRICATION



Note: The keepers can be surface applied or mortised in, depending on the application.

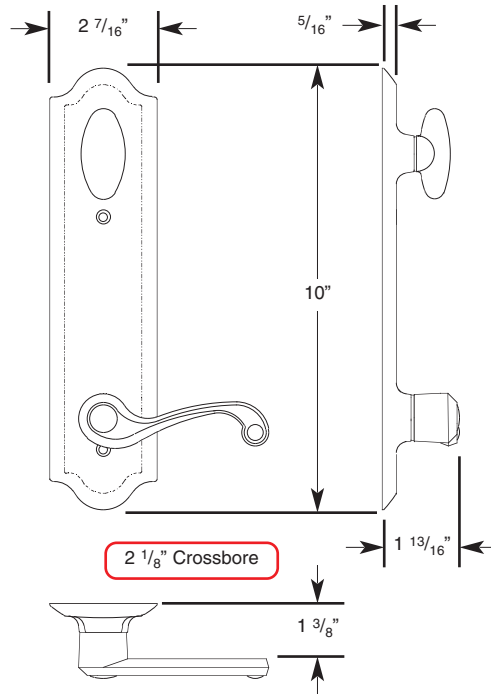
Eclipse

1200-125-XXXX



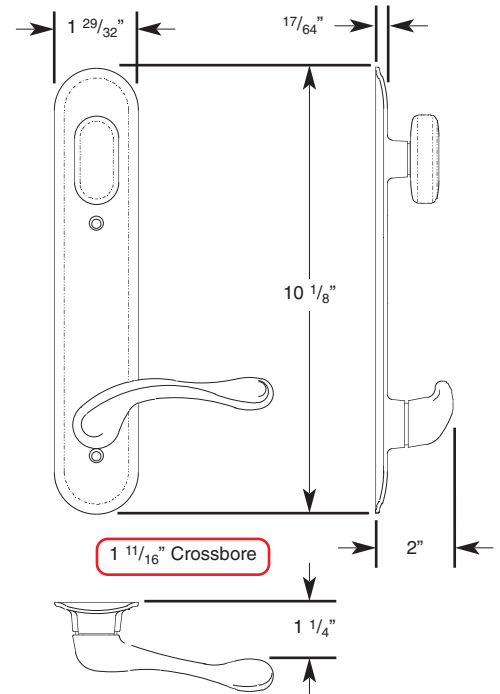
Pinnacle

1200-135-XXXX



Horizon

1200-128-XXXX



Example: 1200-125-XXXX
Fill in Dash # From Below

Available Finishes

Finish Code	Finish Name	Thumbturn Drive
US#3	Bright Brass	-1004
US#5	Antique Brass	-1005
US#15	Satin Nickel	-1057
US#15A	Antique Nickel	-1051
US#26	Bright Chrome	-1063
US#26D	Satin Chrome	-1006
WF#5	Black Powder Paint	-1087
WF#10P	Victorian Bronze	-1084
#46	White Powder Paint	-1060

(1200-125 Series ONLY)

3PVD	Bright Brass PVD	-1013
15PVD	Satin Nickel PVD	-1019

(1200-128 Series ONLY)

3PVD	"Lifetime" Solid Brass	-1003
------	------------------------	-------

Note: These sets have fixed levers both inside and outside. The Thumbturn drives the shoot-bolts of the 3020 Series French Mortise Lock.

When ordering, please specify:

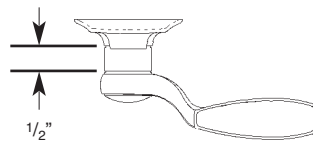
- Handle set style from above.
- Panel height and lever crossbore location (from top or bottom).

Ask for the catalogs for W & F's other handle set options:

Exclusive Rocky Mountain Hardware
Solid Bronze:
Entrance Grip & Lever Sets
5 Escutcheon Styles
(up to 21")
40 Lever Options
9 Different Patinas

Emtek Products:
Stainless Steel, Solid Brass,
and Solid Bronze Lever
Set options.

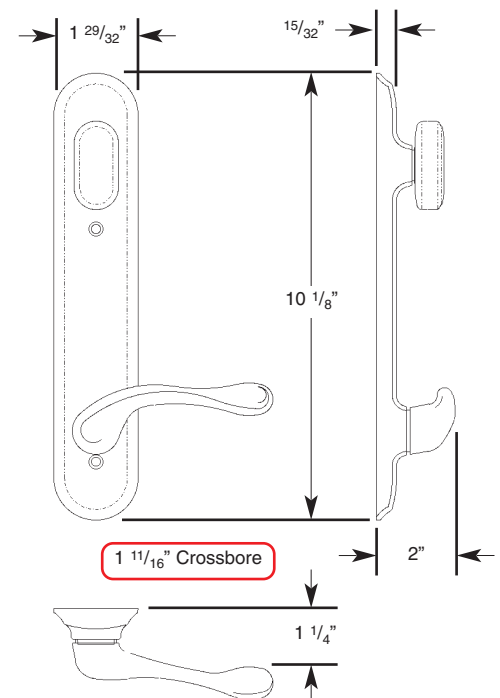
W & F Lever Spacer



The 1200-116 Lever Spacer Kit can be used to extend Eclipse, Pinnacle, Horizon or Europa levers. A maximum of two spacers can be used for a 1" extension.

Europa

1200-130-XXXX (Solid Brass)



W & F Manufacturing, Inc.

P.O. Box 30 Glendale, CA 91209

Ph: 818/394-6060

fax: 818-394-6050

web: www.wfmfg.com

eMail: sales@wfmfg.com