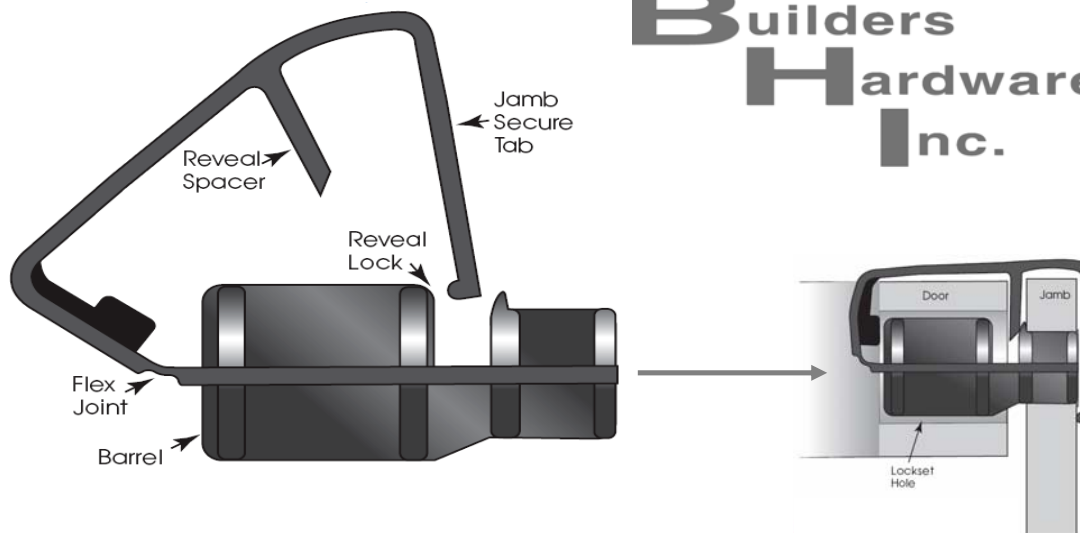


# Doorframer® CLOSURE CLIP

Now available from...

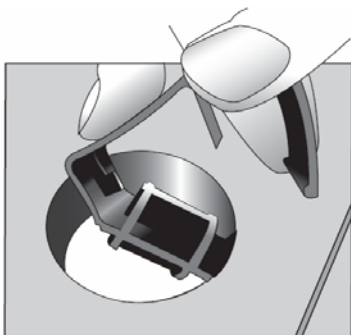
**B**uilders  
**H**ardware  
**I**nc.



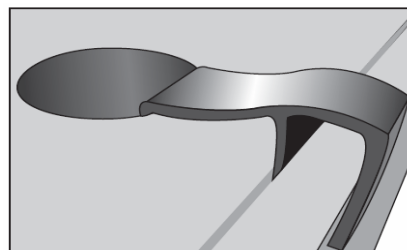
Item #	Description	Pack	Qty (1000)
400116	CL3 Prehung Shipping Clip	1000	

- Easiest to install and remove on the market!
- Reduces sag and maintains the door's reveal all the way through installation.
- Can be used on interior and exterior systems.
- One-piece, low profile.

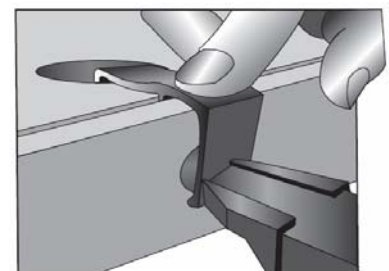
Installation as easy as 1, 2, 3...



**1.** Holding the closure clip by the Jamb Secure Tab, insert the Barrel into the lock bore all the way into the jamb.



**2.** Push the Jamb Secure Tab down so the Reveal Spacer slips into the reveal. (The closer clip will pivot at the flex joint.)



**3.** While holding the Jamb Secure Tab in position, place a single staple through the tab into the outside jamb.

To Order Call (813-971-4700) (800-966-7753) FAX (813-977-5632)

April 2008