



YMC200 Series

Grade 2 Cylindrical Locks

YM
SERIES™

An ASSA ABLOY Group brand

ASSA ABLOY

introduction

Yale® YM Series™ cylindrical locks are the ideal choice for light-duty commercial applications where consistent quality, ease of use and installation are required at an economical price. The YMC200 Series is certified to ANSI/BHMA Grade 2 standards and is UL fire-listed for all functions ensuring reliability and peace of mind.

a.d.a.

The YMC200 Series lever designs meets accessibility guidelines of the Americans with Disabilities Act and the requirements of the Uniform Federal Accessibility Standards and ANSI A117.1, all requiring ease of accessibility for the handicapped.

ansi/bhma

Certified ANSI/BHMA A156.2, Series 4000 Grade 2.



backset

The YMC200 Series cylindrical locksets are available with a 2-3/4" (70mm) standard or 2-3/8" (60mm) optional backset.

door thickness

Adjustable for doors 1-3/8" (35mm) to 1-3/4" (44mm).

fire listings

YMC200 Series locksets are UL - cUL listed for use on fire doors having a rating up to and including 3 hours.

installation

Fits ANSI/BHMA A156.115, which covers Hardware Preparation in Steel Doors and Frames and ANSI/BHMA A156.115-W for Wood Doors with Wood or Steel Frames.

warranty

The YMC200 Series cylindrical locks carry a one-year mechanical warranty.

latchbolts

2-3/4" (70mm) backset, 1/2" (13mm) throw latchbolt deadlocking or plain supplied standard. See page 6 for optional latchbolts.

strikes

ANSI strike 4-7/8" x 1-1/4" x 1-1/4" (124mm x 32mm x 32mm) lip to center supplied standard for lever. T-Strike 2-3/4" x 1-1/8" x 1-1/4" (70mm x 29mm x 32mm) lip to center supplied standard for knob. See page 6 for optional strikes.

through-bolts

YMC200 cylindrical lever locks are supplied with optional through-bolts. Installation of through-bolts is at the discretion of the installer.

contents

- Introduction2
- Trim Designs3
- Functions4-5
- Cylinders/Keying5-6
- Latchbolts6
- Strikes7
- How to Order7

handing

Locksets are non-handed and easily field reversible.

finishes

ANSI/ BHMA Code	Finish Description
605	Bright Brass, Clear Coated (Lever and Knob)
606*	Satin Brass, Clear Coated (Lever and Knob)
612	Satin Bronze, Clear Coated (Lever and Knob)
613	Dark Oxidized Satin Bronze, Oil Rubbed (Lever and Knob)
625	Bright Chrome Plated (Lever Only)
626*	Satin Chrome Plated (Lever Only)
629	Bright Stainless Steel (Knob Only)
630	Satin Stainless Steel (Knob Only)

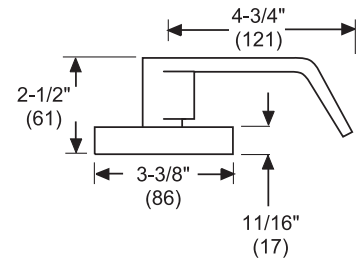
*Cylinders provided in these finishes only.

trim designs

levers

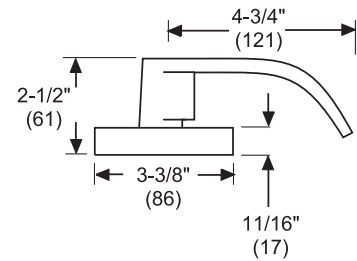
Augusta AU

Lever: Cast Zinc
Rose: Wrought Brass



Pacific Beach PB

Lever: Cast Zinc
Rose: Wrought Brass

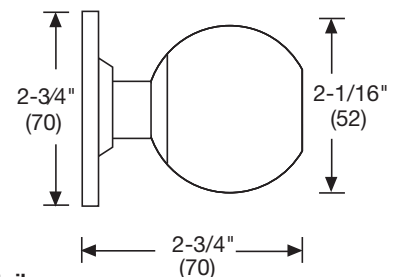


Note: Monroe (MO) lever handle is available upon request. Extended lead times apply. Contact Customer Service for more information.

knob

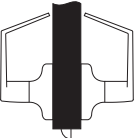

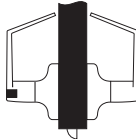
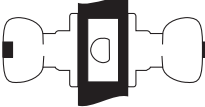
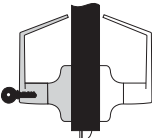
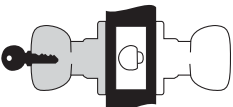
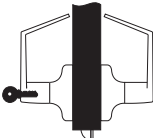
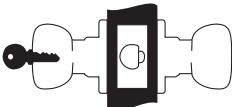
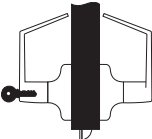
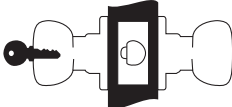

Carolina CA

Knob: Stainless Steel or Wrought Brass
Rose: Stainless Steel or Wrought Brass




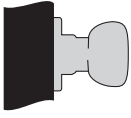
All levers and knob available with small format interchangeable core. See page 5 for details.

functions

YMCL201 (F75)	YMCK201 (F75)	YMCL202 (F76B)	YMCK202 (F76B)
			
<p>Passage or Closet Latch</p> <ul style="list-style-type: none"> For doors that do not require locking. Either lever/knob operates latchbolt at all times. 		<p>Privacy Bedroom or Bath Lock</p> <ul style="list-style-type: none"> For lavatory or other privacy doors. Either lever/knob operates latchbolt unless outside lever/knob is locked by pushbutton inside. Button automatically releases when inside lever/knob is turned or door is closed. Emergency key inserted and turned in hole in outside lever/knob will unlock door from outside. (Emergency key furnished with lockset.) Inside lever/knob always active. 	
YMCL205 (F86)	YMCK205 (F86)	YMCL207 (F109)	YMCK207 (F109)
			
<p>Storeroom or Closet Lock</p> <ul style="list-style-type: none"> For use on storeroom, utility, exit doors. Deadlocking latchbolt. Latchbolt operated by lever/knob inside, key in outside lever/knob. Outside lever/knob always rigid. Inside lever/knob always active. 		<p>Entrance or Corridor Lock</p> <ul style="list-style-type: none"> For entrance, general home or office doors. Deadlocking latchbolt. Either lever/knob operates latchbolt (except when outside lever/knob is locked from inside). Pushing turn button in inside lever/knob locks outside lever. (Automatically releases when inside lever/knob is turned or key is rotated in locked outside lever/knob.) Outside lever/knob may be retained in locked position by pushing and rotating turn button 90° clockwise to a horizontal position; not released until turn button is manually returned to the vertical position. Latchbolt is operated by key in outside lever/knob or by rotating inside lever/knob. Inside lever/knob always active. 	
YMCL208 (F84)	YMCK208 (F84)	YMCL228 (F111)	
			
<p>Classroom Lock</p> <ul style="list-style-type: none"> For classroom or utility room doors. Deadlocking latchbolt. Either lever/knob operates latchbolt (except when outside lever is locked by key). Inside lever/knob always active. Key releases outside lever/knob. 		<p>Communicating Passage Latch</p> <ul style="list-style-type: none"> For twin communicating or exit doors where one side operation is required. Also when space is limited between door and switch panel. Deadlocking latchbolt. One lever operation. Blank rose. Should be used only where rooms have more than one entrance. 	



functions

YMCL255	YMCK255
	
<p>Single Dummy Trim</p> <ul style="list-style-type: none"> • For non-operational levers used for decorative trim. • Rigid lever/knob. 	

cylinders/keying

Illustration	Type	Model Number	Number of Pins
	Key-in-Knob Cylinder	1805	6
	Key-in-Lever Cylinder	1806	6

Keying:

All cylinders furnished standard 6-pin, keyed random in *Yale* PARA keyway, pinned to *Yale* .019" specification. Each cylinder furnished with two nickel silver keys.

Options:

Cylinders available 0-bitted, keyed alike, master keyed or construction master keyed upon request (PARA keyway only, cylinders are not available in any other *Yale* keyway.).

levers accepting small format interchangeable cores

	Cylinder Type	Prefix	Ordering Example
	SFIC (Accepts all Small Format Interchangeable Cores) 6- or 7-pin.	B (i.e. B-AU, B-PB)	B-PB-YMCL207 x 626

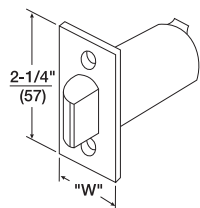
competitor keyway cylinders/cores

Illustration	Type	Model Number	Number of Pins
	Best® Keyway Core. Available keyed random, master keyed or uncombined. Specify keyway A, B, C, D, E, F, G, H, J, K, L or M.	A600	6 or 7 (Specify)
	Schlage® C Keyway Knob Cylinder. Available 0-bitted or keyed random.	2805 x SC	6
	Schlage® C Keyway Lever Cylinder. Available 0-bitted or keyed random.	2806 x SC	6
	Corbin Russwin L4 Keyway Cylinder. Available keyed random.	3806 x L4	6
	Corbin 60 Keyway Cylinder. Available keyed random.	3806 x 60	6
	Russwin D1 Keyway Cylinder. Available keyed random.	3806 x D1	6
	Sargent LA Keyway Cylinder. Available keyed random.	3806 x LA	6

Note: 3806 cylinders are supplied with applicable tailpieces that are needed operate YMCL200 and YMCK200 locksets. These cylinders are not ANSI/BHMA certified.

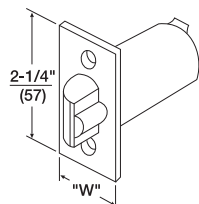
latchbolts

plain latchbolts



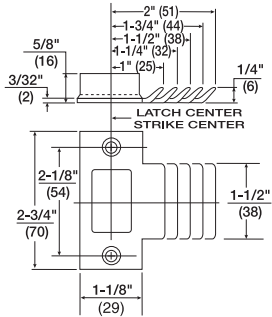
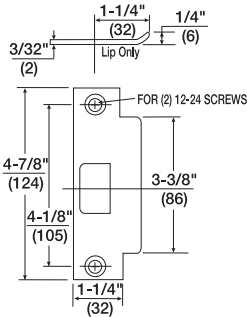
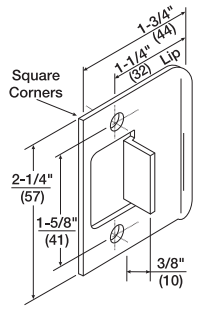
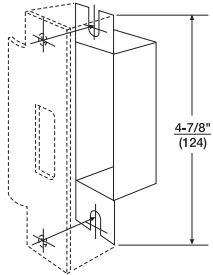
Model	Backset	Description
YMCP34	2-3/4"	Square Corner Front (standard for non-locking functions) 2-1/4" x 1-1/8" faceplate
YMCP38	2-3/8"	Square Corner Front 2-1/4" x 1" faceplate

deadlocking latchbolts



Model	Backset	Description
YMCD34	2-3/4"	Square Corner Front (standard for locking functions) 2-1/4" x 1-1/8" faceplate
YMCD38	2-3/8"	Square Corner Front 2-1/4" x 1" faceplate

strikes

 <p>Model No. 371 Strike (Standard for Knob - Optional for Lever) 2-3/4" x 1-1/8" x 1-1/4" (70mm x 29mm x 32mm) lip to center supplied standard for knob. 1", 1-1/2", 1-3/4" and 2" curved lip lengths available by special order. Wrought strike box supplied.</p>	 <p>Model No. 497 ANSI Strike (Standard for Lever - Optional for Knob) For door and frames with ANSI A115.2 preparations. 4-7/8" x 1-1/4" x 1-1/4" (124mm x 32mm x 32mm) lip to center supplied standard for lever. Optional lip lengths are not available. Available with optional 202 Strike Box. Specify 497 x 202.</p>	 <p>Model No. 70S Full Lip Strike (Optional for Knob or Lever) 2-1/4" x 1-3/4" x 1-1/4" (57mm x 44mm x 32mm) lip to center with full lip anti-rattle tab.</p>	 <p>Model No. 202 Strike Box Available to special order. Specify 497 x 202.</p>
---	--	--	---

attaching screws

For Model Nos. 371 and 70S

#8-32 x 3/4" (19mm) Phillips flat head combination wood and machine screws.

For Model No. 497

#12-24 x 1" Phillips flat head combination wood and machine screws.

how to order

Design	Function	Hand	Latch	Strike	Cylinder	Door Thickness	Keying	Finish
See page 3	See pages 4-5	Specify	See page 6	See page 6	See page 5	See page 2	See page 5	See page 2

ordering example

Design	Function	Hand	Latch	Strike	Cylinder	Door Thickness	Keying	Finish
AU	YMCL207	RH	YMCD34	497	1806	1-3/4"	KR	626

online literature and templates

For the latest information on Yale Commercial Lock and Hardware products, visit our website at www.yalecommercial.com.

Click on the "Literature" button to find:

- Catalogs
- Parts manuals
- Templates
- Specifications
- Installation instructions

Yale® customers can click on the ebusiness symbol  on the website to register for an ebusiness account to:

- Check the status of orders
 - Check availability of Quick-Ship items
 - Track your order and confirm delivery
 - Receive email notification of template changes
- And More...

www.yalecommercial.com

Yale Commercial Locks and Hardware

Address: 100 Yale Avenue, Lenoir City, TN 37771-3226 USA

Tel: 1-800-438-1951 • Fax: 1-800-338-0965 • www.yalecommercial.com

Yale Residential Security Products, Inc.

Address: 100 Yale Avenue, Lenoir City, TN 37771-3226 USA

Tel: 1-800-438-1951 • Fax: 1-800-338-0965 • www.yalelock.com

ASSA ABLOY Door Security Solutions - Canada

Address: 160 Four Valley Drive, Vaughan, Ontario L4K4T9 Canada

Tel: 1-800-461-3007 • Fax: 1-905-738-2478 • www.assaabloy.ca

ASSA ABLOY NA International

www.aanai.com

Yale® is a registered trademark of Yale Security, Inc., an ASSA ABLOY Group company. YM Series™ is a trademark of Yale Security, Inc., an ASSA ABLOY Group company. Other products' brand names may be trademarks or registered trademarks of their respective owners and are mentioned for reference purposes only. These materials are protected under U.S. copyright laws. All contents current at time of publication. Yale Security, Inc. reserves the right to change availability of any item in this catalog, its design, construction, and/or its materials. Copyright © 2008, Yale Security, Inc., an ASSA ABLOY Group company. All rights reserved. Reproduction in whole or in part without the express written permission of the Yale Security, Inc., an ASSA ABLOY Group company, is prohibited.

YALE, with its unique global reach and range of products, is the world's favorite lock.

ASSA ABLOY is the global leader in door opening solutions, dedicated to satisfying end-user needs for security, safety and convenience.

42540-8/08R